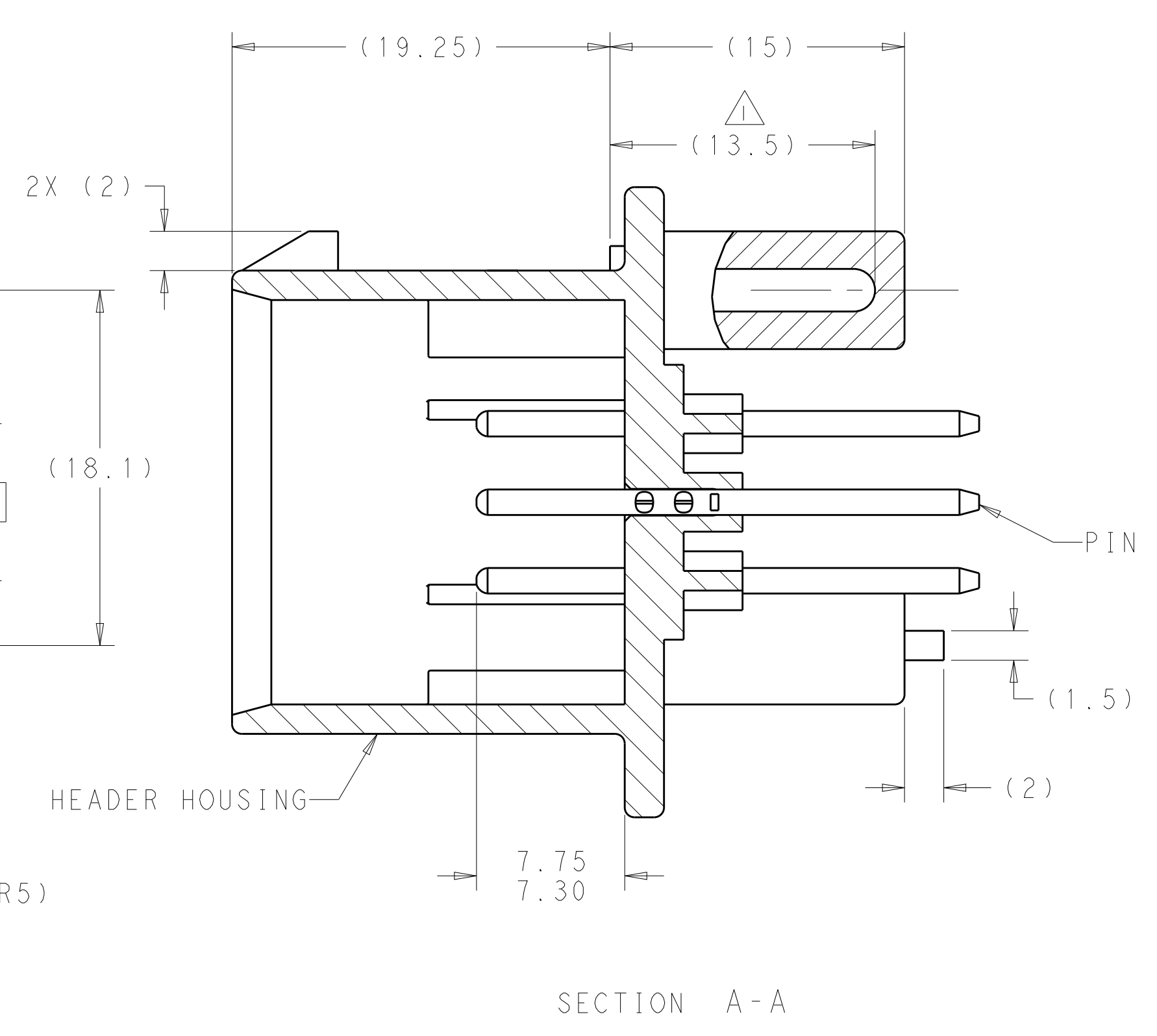
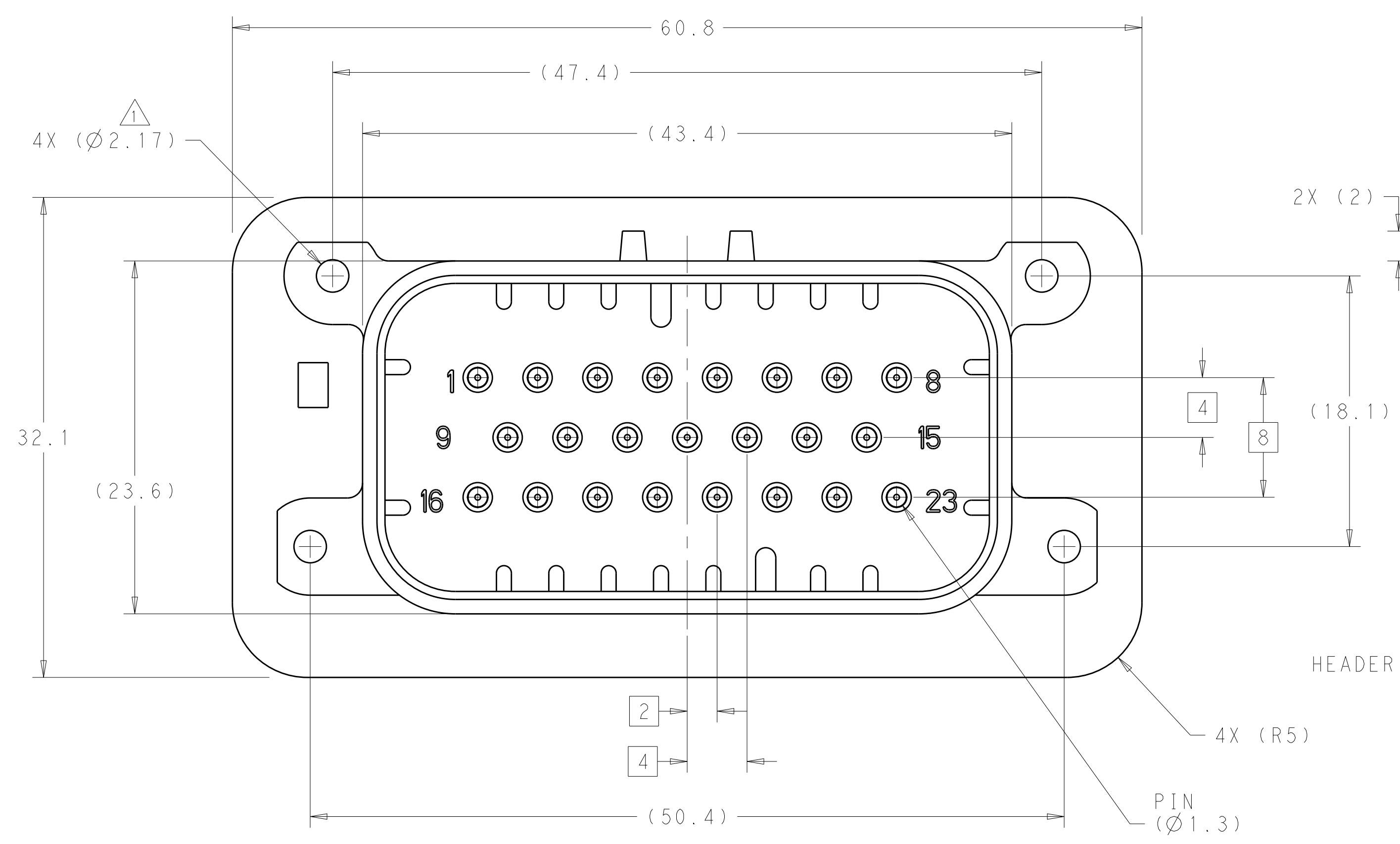
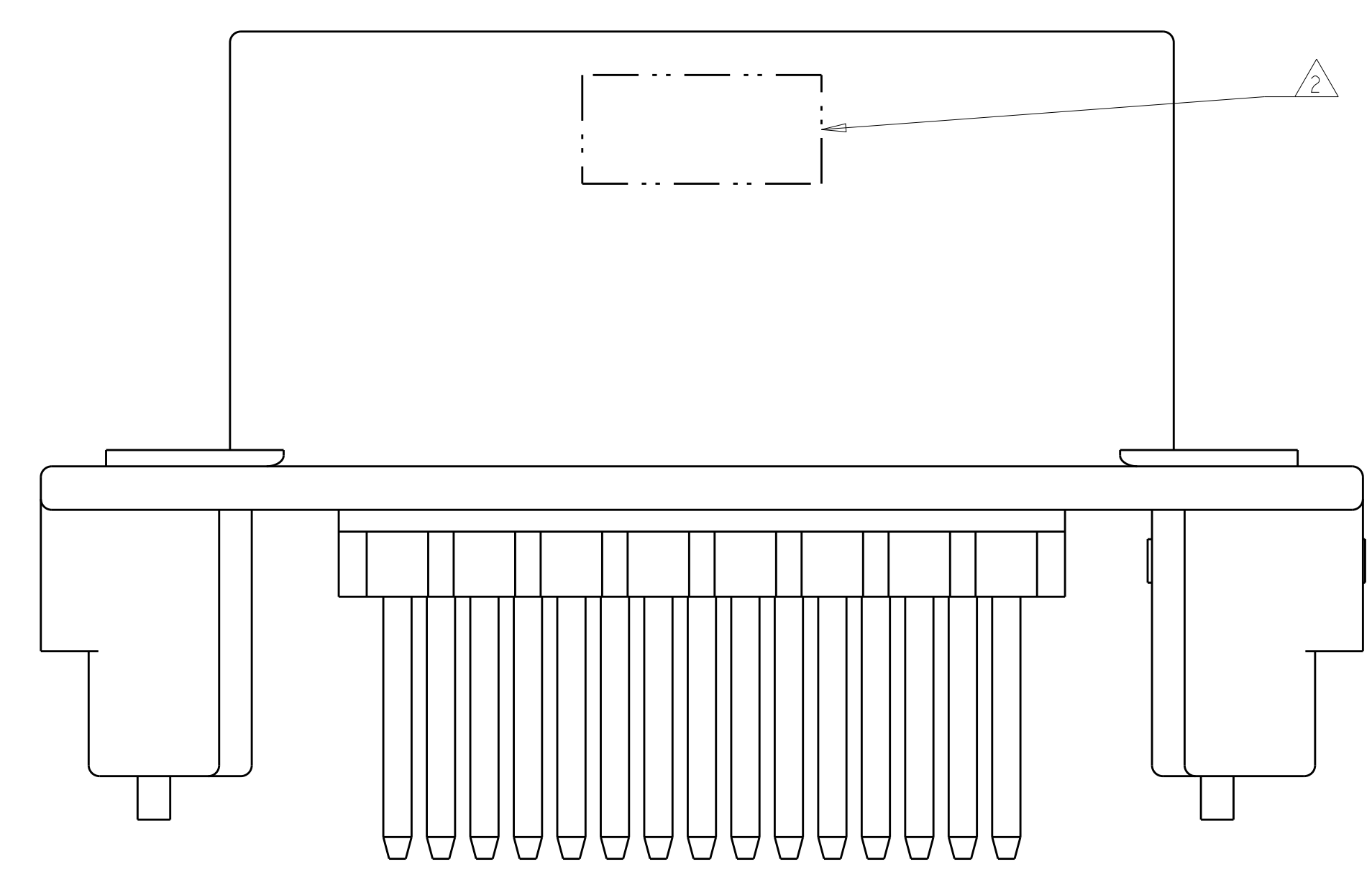


REVISIONS				
P.	LTN	DESCRIPTION	DATE	APVD
D11		REVISED PER ECO-15-000100	22JAN2015	DD DS
D12		REVISED PER ECO-15-003872	25MAR2015	DD DS
D13		REVISED PER ECO-16-003526	09MAR2016	JM DS



- △ ACCEPTS #3 SELF TAPPING THREAD CUTTING SCREWS OR METRIC EQUIVALENT. DRIVE TO 0.6-0.8 N-m
- △ DATE CODE IN THIS LOCATION USING 5 DIGIT CODE FIRST 2 DIGITS = YEAR, SECOND 2 DIGITS = WEEK LAST DIGIT = DAY.
- △ MATERIALS: HEADER HOUSING - GLASS FILLED PBT
PINS - TIN OR GOLD PLATED BRASS
- △ HOUSING COLORS ARE MECHANICALLY KEYED TO MATE ONLY WITH IDENTICALLY COLORED PLUG ASSEMBLIES.
- 5. HEADER MATES TO PLUG ASSEMBLY 770680 WHICH USES REELED TERMINAL 770520 OR LOOSE PIECE TERMINAL 770854



776200-1 & 1-776200-1 SHOWN

HEADER COLOR	PLATING	PART NUMBER
BLUE	DURAGOLD	1-776200-5
GRAY	DURAGOLD	1-776200-4
NATURAL	DURAGOLD	1-776200-2
BLACK	DURAGOLD	1-776200-1
BLUE	TIN	776200-5
GRAY	TIN	776200-4
NATURAL	TIN	776200-2
BLACK	TIN	776200-1

THIS DRAWING IS A CONTROLLED DOCUMENT.

OWN: D. STRAUSSER 04FEB2010
 CHK: D. STRAUSSER 22MAR2010
 APVD: D. STRAUSSER 27APR2010

TE Connectivity

ASSEMBLY, HEADER, 23 POSITION, VERTICAL, AMPSEAL

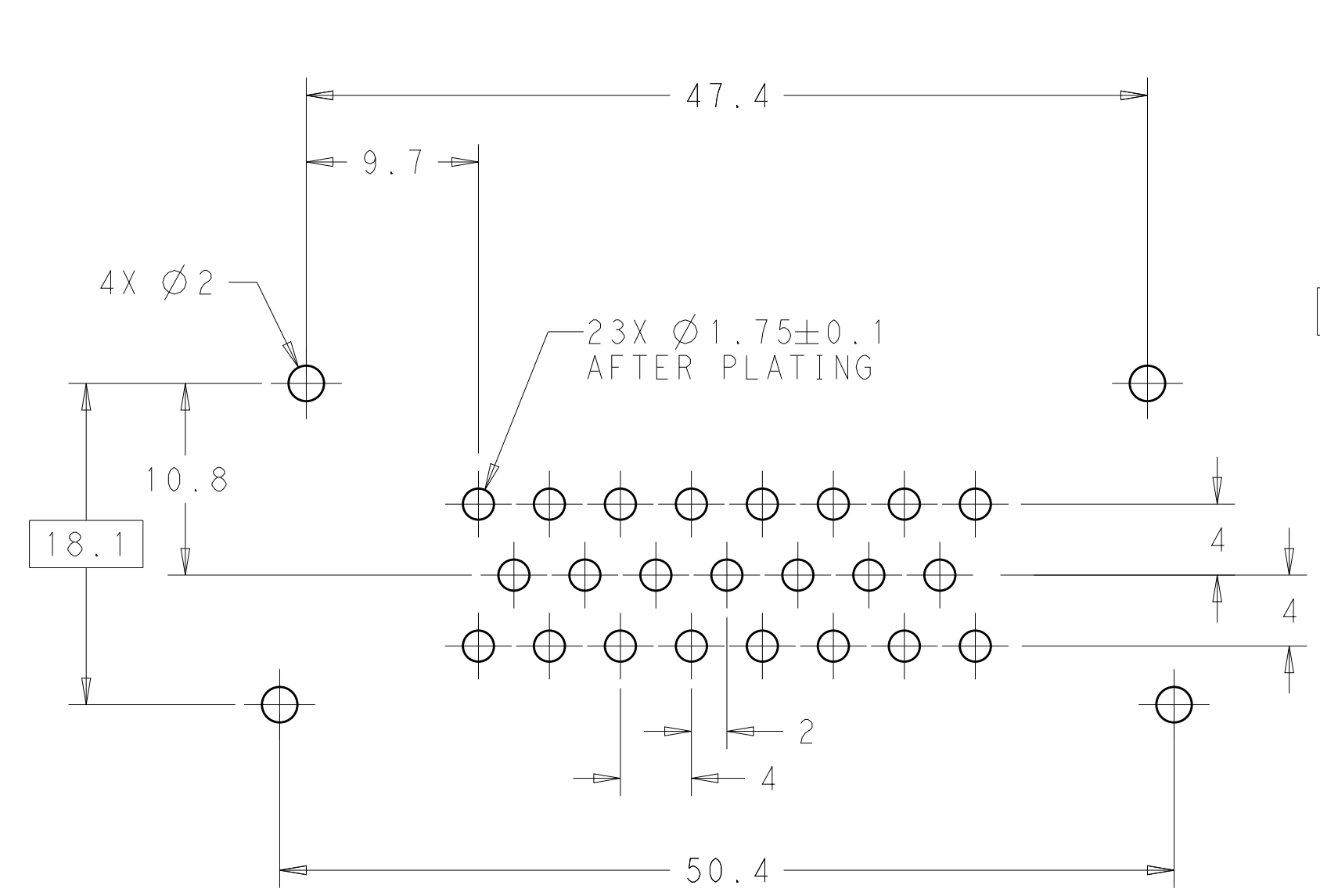
PRODUCT SPEC: 108-1329
 APPLICATION SPEC: 114-16016

SIZE: A1 CAGE CODE: 00779 DRAWING NO: 776200

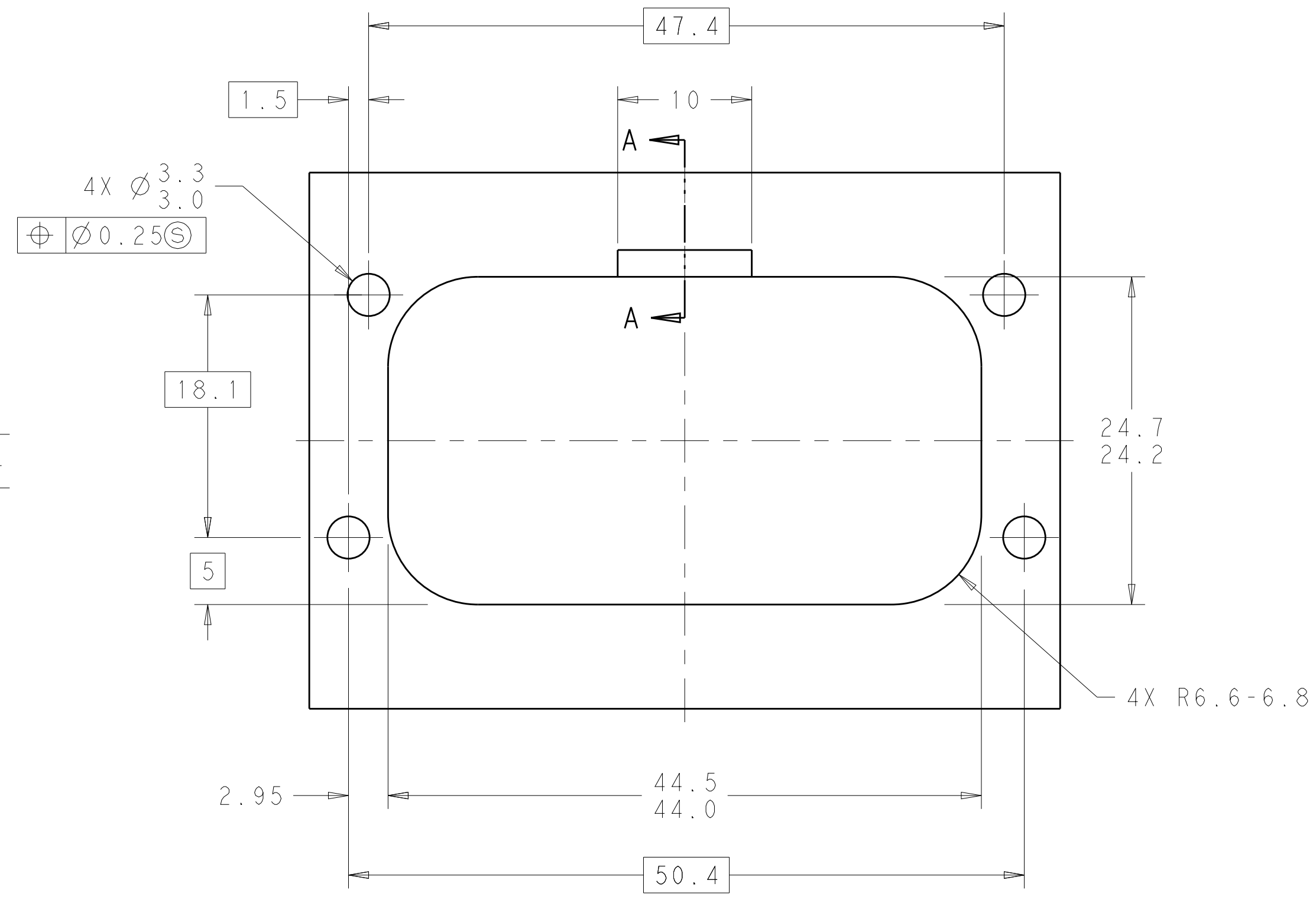
MATERIAL: 3 FINISH: 3

CUSTOMER DRAWING SCALE: 4:1 SHEET 1 OF 2 REV: 013

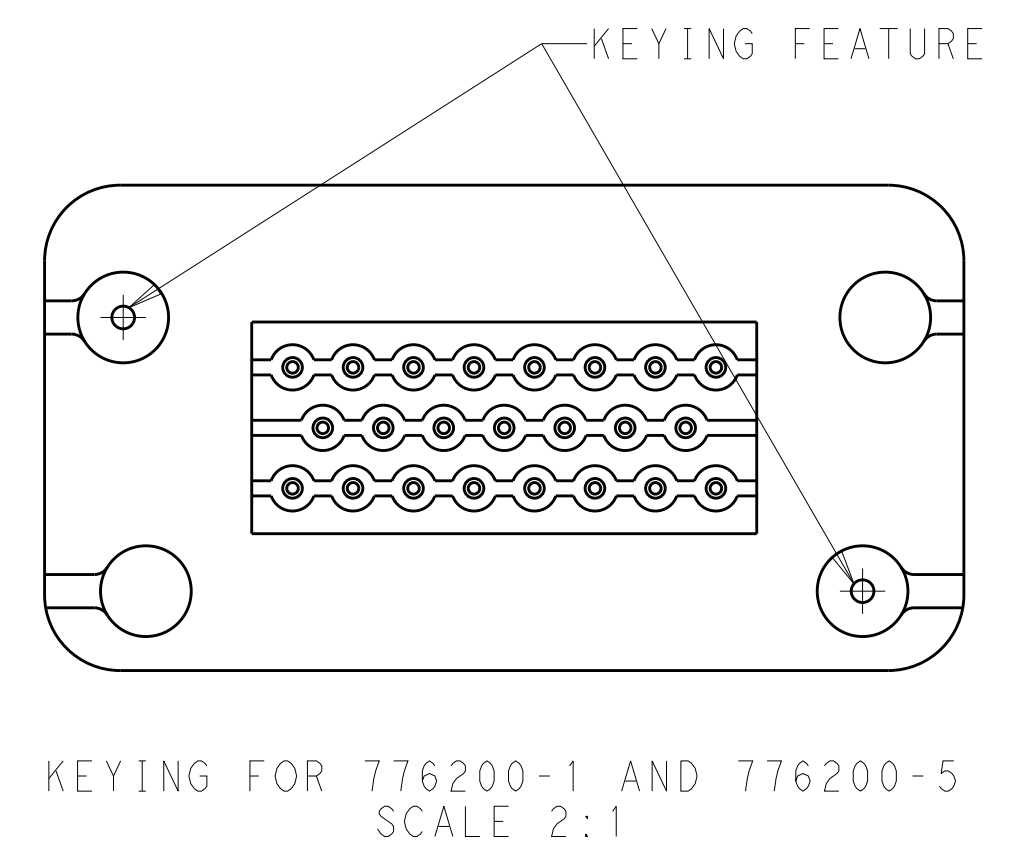
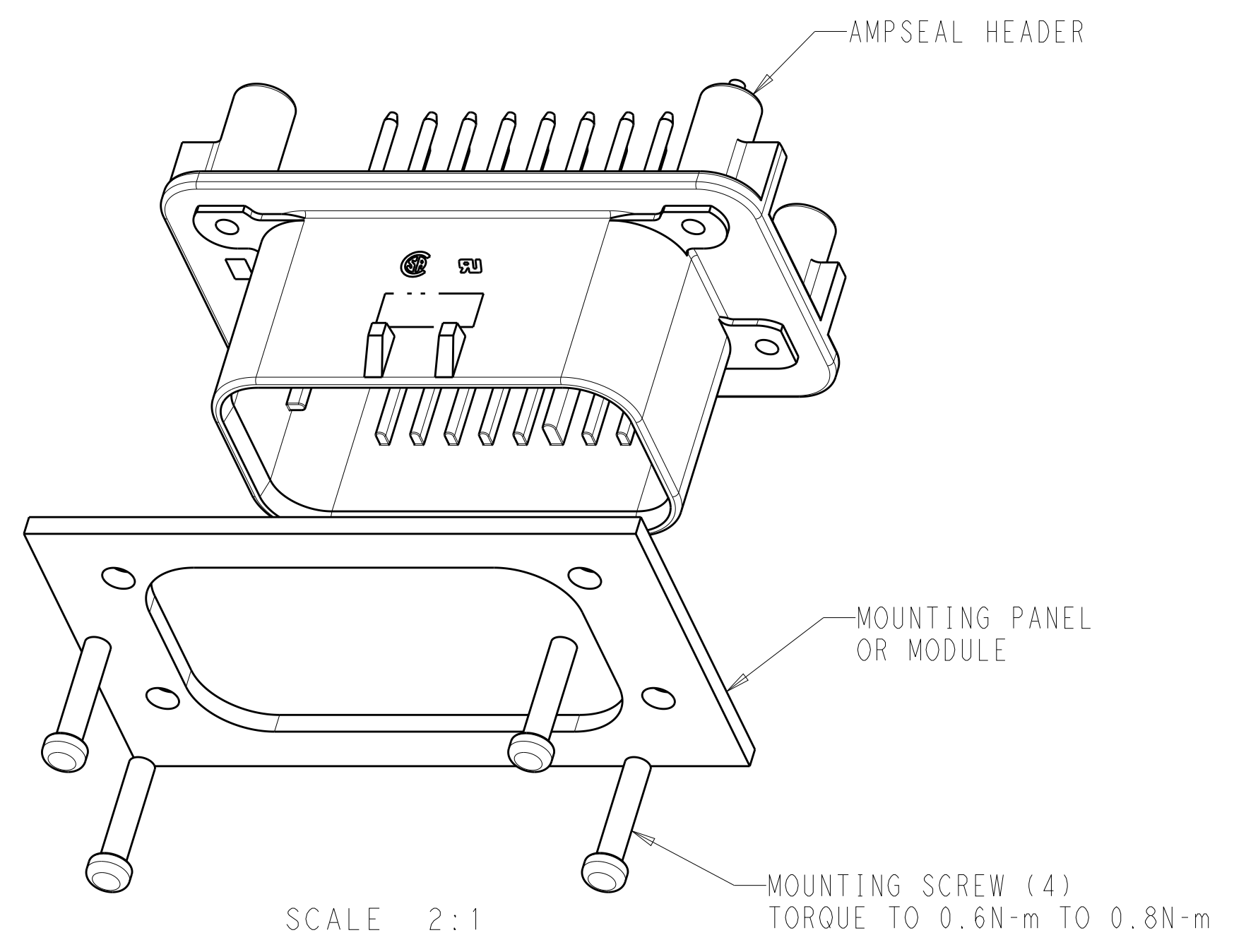
REVISIONS				
P.	LTN	DESCRIPTION	DATE	APPV
-	-	SEE SHEET 1	-	-



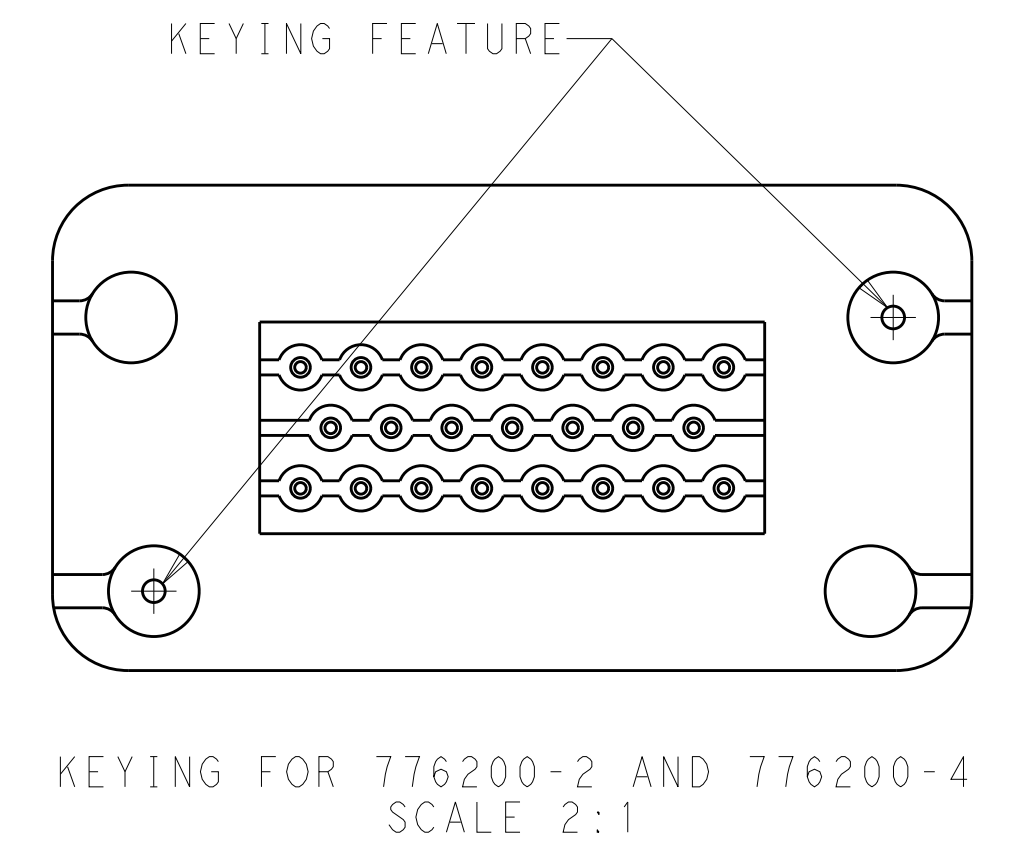
RECOMMENDED P.C. BOARD LAYOUT
 FOR 1.57 THICK P.C. BOARD



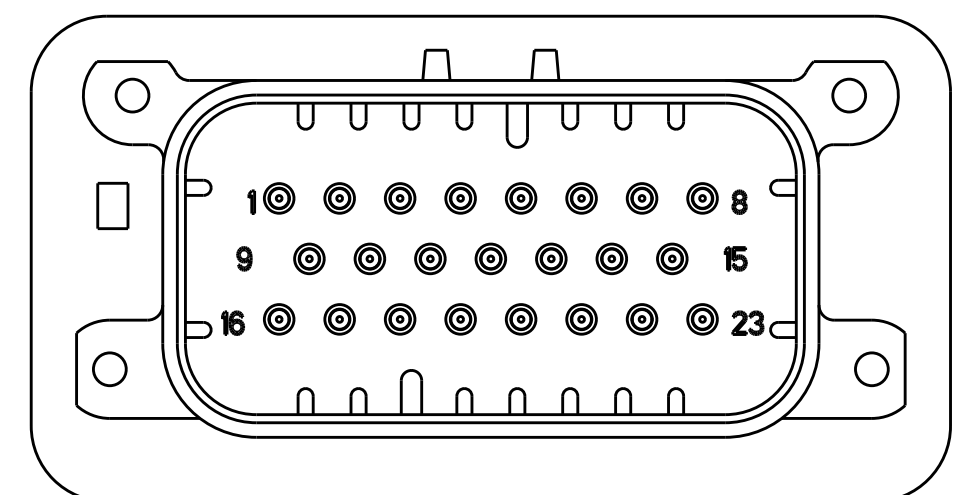
RECOMMENDED MOUNTING HOLE LAYOUT
 FOR 5.0 MAX THICK PANEL



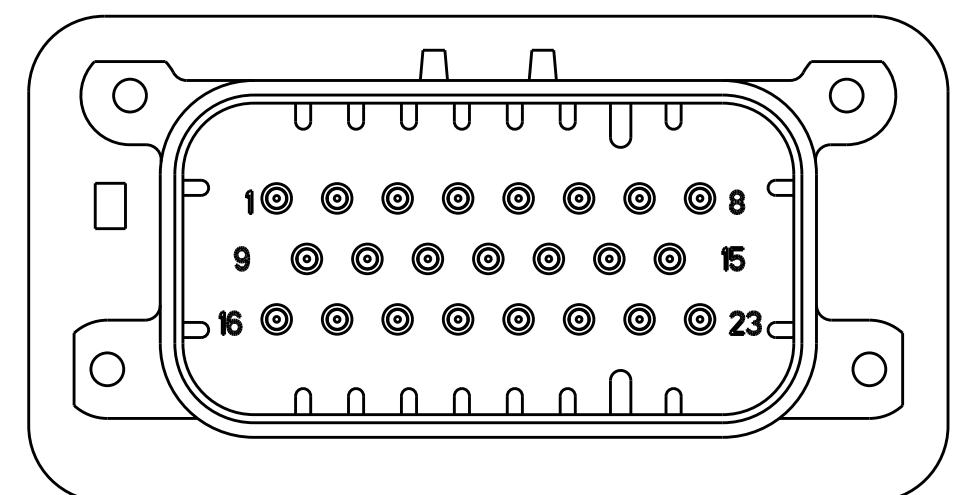
KEYING FOR 776200-1 AND 776200-5
 SCALE 2:1



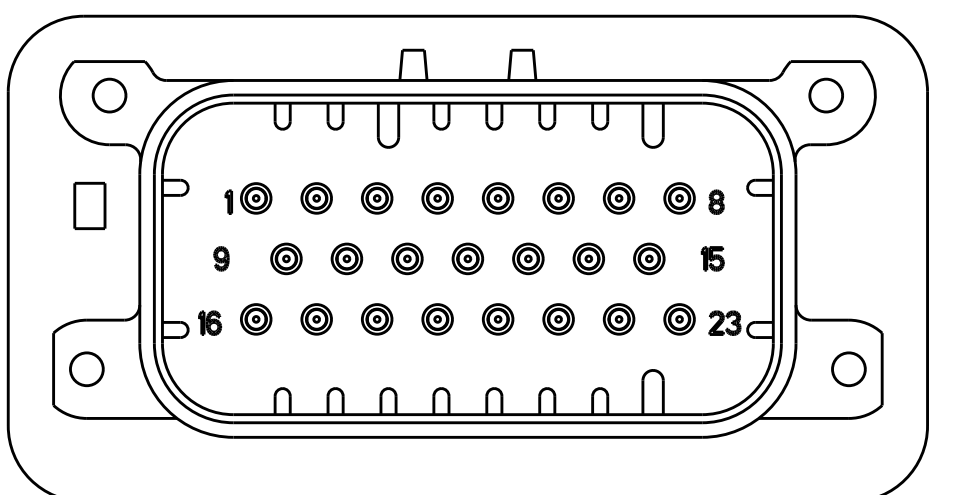
KEYING FOR 776200-2 AND 776200-4
 SCALE 2:1



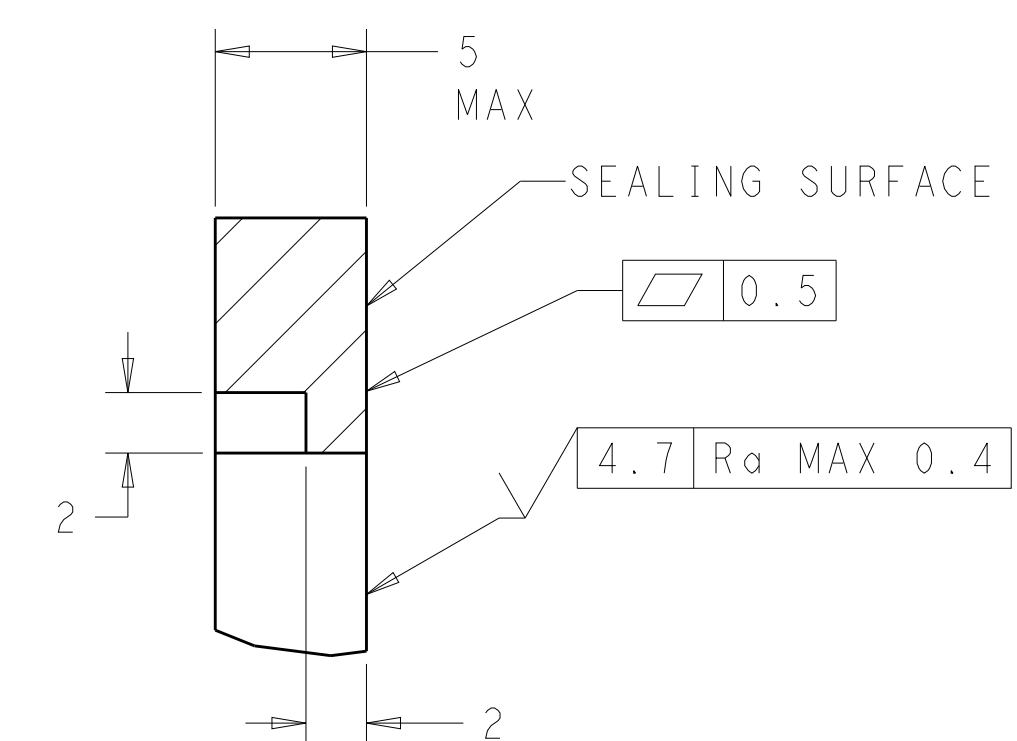
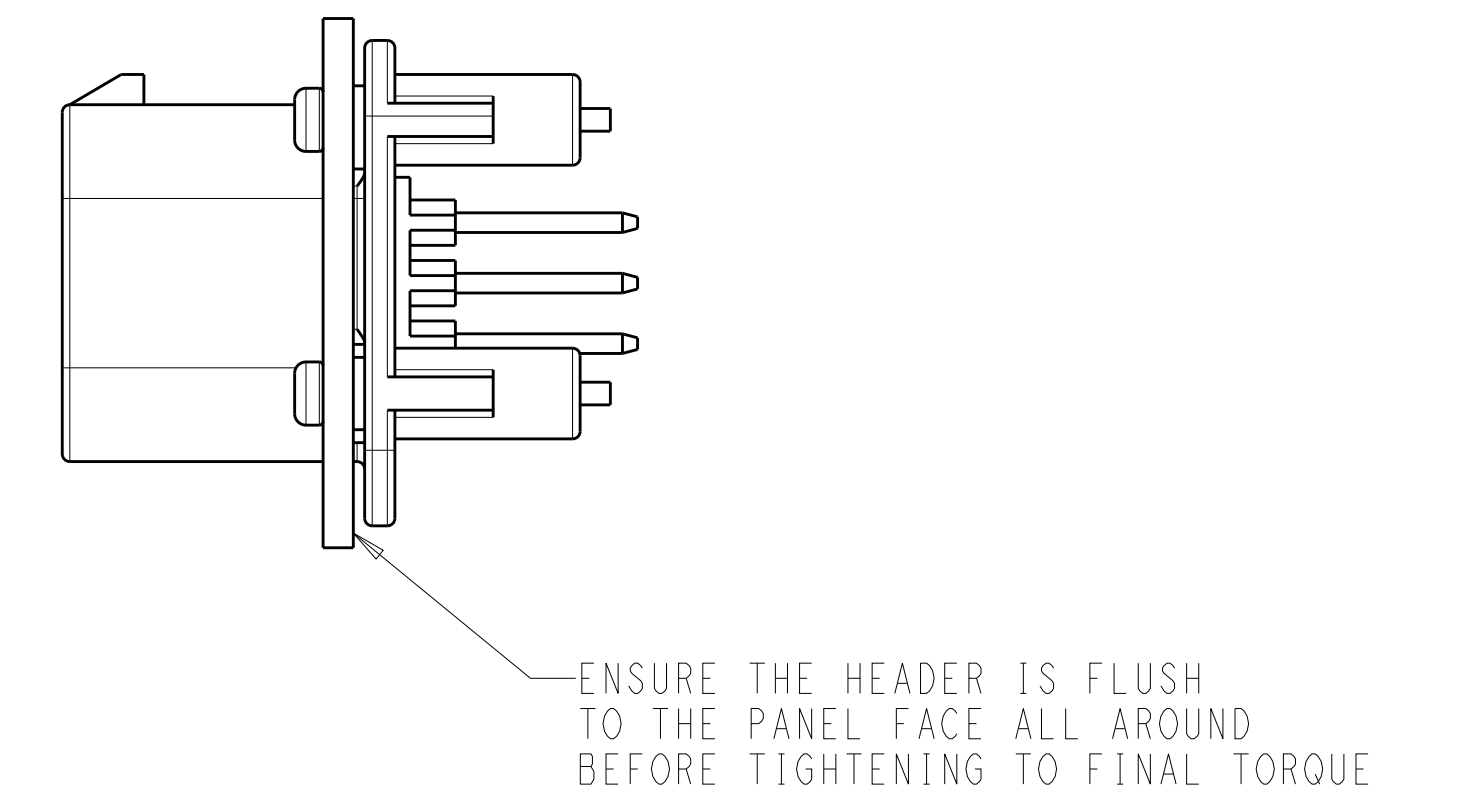
776200-2 & 1-776200-2
 KEY LOCATION
 SCALE 2:1



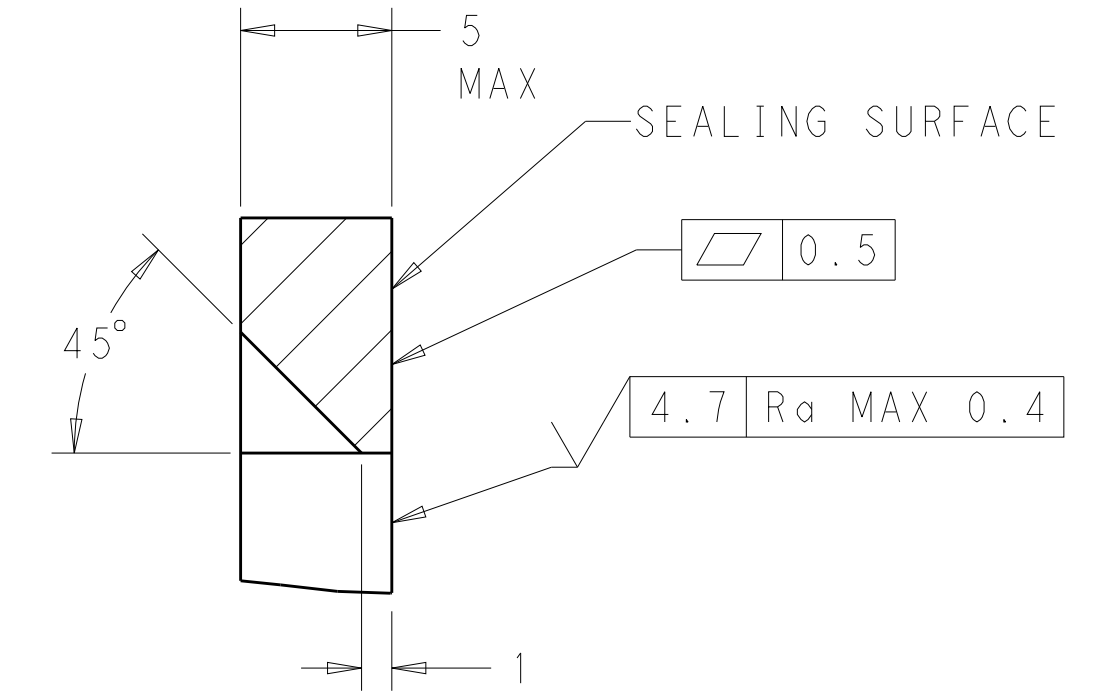
776200-4 & 1-776200-4
 KEY LOCATION
 SCALE 2:1



776200-5 & 1-776200-5
 KEY LOCATION
 SCALE 2:1



SECTION A-A
 OPTIONAL CONSTRUCTION IF PANEL
 THICKNESS IS GREATER THAN 2.0
 SCALE 4:1



SECTION A-A
 OPTIONAL CONSTRUCTION IF PANEL
 THICKNESS IS GREATER THAN 2.0
 SCALE 4:1

THIS DRAWING IS A CONTROLLED DOCUMENT.		OWN: D. STRAUSSER 04FEB2010	STE TE Connectivity	
DIMENSIONS: mm		CHK: D. STRAUSSER 22MAR2010		
TOLERANCES UNLESS OTHERWISE SPECIFIED:		APPV: D. STRAUSSER 27APR2010	NAME: ASSEMBLY, HEADER, 23 POSITION, VERTICAL, AMPSEAL	
0 PLC ±0.13		PRODUCT SPEC: 108-1329	SIZE: CAGE CODE DRAWING NO: 114-16016	
1 PLC ±0.2		APPLICATION SPEC: 114-16016	RESTRICTED TO: A100779C=776200	
2 PLC ±0.3		WEIGHT: -	SCALE: 4:1 SHEET 2 OF 2	
3 PLC ±0.4		CUSTOMER DRAWING	REV: 013	
4 PLC ±0.5				
ANGLES ±45°				
FINISH: -				